



Designation: E604 – 18

Standard Test Method for Dynamic Tear Testing of Metallic Materials¹

This standard is issued under the fixed designation E604; the number immediately following the designation indicates the year of original adoption or, in the case of revision, the year of last revision. A number in parentheses indicates the year of last reapproval. A superscript epsilon (ϵ) indicates an editorial change since the last revision or reapproval.

This standard has been approved for use by agencies of the U.S. Department of Defense.

1. Scope*

1.1 This test method covers the dynamic tear (DT) test using specimens that are $\frac{3}{16}$ in. to $\frac{5}{8}$ in. (5 mm to 16 mm) inclusive in thickness.

1.2 This test method is applicable to materials with a minimum thickness of $\frac{3}{16}$ in. (5 mm).

1.3 The pressed-knife procedure described for sharpening the notch tip generally limits this test method to materials with a hardness level less than 36 HRC.

NOTE 1—The designation 36 HRC is a Rockwell hardness number of 36 on Rockwell C scale as defined in Test Methods E18.

1.4 The values stated in inch-pound units are to be regarded as standard. The values given in parentheses are mathematical conversions to SI units that are provided for information only and are not considered standard.

1.5 *This standard does not purport to address all of the safety concerns, if any, associated with its use. It is the responsibility of the user of this standard to establish appropriate safety, health, and environmental practices and determine the applicability of regulatory limitations prior to use.*

1.6 *This international standard was developed in accordance with internationally recognized principles on standardization established in the Decision on Principles for the Development of International Standards, Guides and Recommendations issued by the World Trade Organization Technical Barriers to Trade (TBT) Committee.*

2. Referenced Documents

2.1 *ASTM Standards:*²

B221 Specification for Aluminum and Aluminum-Alloy Extruded Bars, Rods, Wire, Profiles, and Tubes

¹ This test method is under the jurisdiction of ASTM Committee E28 on Mechanical Testing and is the direct responsibility of Subcommittee E28.07 on Impact Testing.

Current edition approved June 1, 2018. Published July 2018. Originally approved as a proposed test method in 1975. Last previous edition approved in 2015 as E604–15. DOI: 10.1520/E0604-18.

² For referenced ASTM standards, visit the ASTM website, www.astm.org, or contact ASTM Customer Service at service@astm.org. For *Annual Book of ASTM Standards* volume information, refer to the standard's Document Summary page on the ASTM website.

E6 Terminology Relating to Methods of Mechanical Testing
E18 Test Methods for Rockwell Hardness of Metallic Materials
E399 Test Method for Linear-Elastic Plane-Strain Fracture Toughness K_{Ic} of Metallic Materials

3. Terminology

3.1 *Definitions of Terms Common in Mechanical Testing:*

3.1.1 The definitions of mechanical testing terms that appear in Terminology E6 apply to this test method.

3.2 *Definitions of Terms Specific to This Standard:*

3.2.1 *dynamic tear (DT) energy*—the total energy required to fracture DT specimens tested in accordance with the provisions of this test method.

3.2.1.1 *Discussion*—With pendulum-type machines, the DT energy is the difference between the initial and the final potential energies of the pendulum or pendulums.

3.2.1.2 *Discussion*—With drop-weight machines, the DT energy is the difference between the initial potential energy of the hammer and the final energy of the hammer as determined by a calibrated energy measurement system.

3.2.2 *shear fracture appearance, SFA, n*—the amount of fracture surface in the specimen that failed in a shear (stable) mode, expressed in percent

3.2.2.1 *Discussion*—Net section may be either the net section area before fracture or the area of the projected plane of the fracture surface.

4. Summary of Test Method

4.1 The DT test involves a single-edge notched beam that is impact loaded in three-point bending, and the DT energy is recorded.

4.2 The DT specimens are fractured with pendulum or drop-weight machines.

5. Significance and Use

5.1 The DT energy value is a measure of resistance to rapid progressive fracturing. In a number of applications, the enhanced resistance that may develop during about one plate thickness of crack extension from a sharp notch is of major interest. In the test method, a sufficiently long fracture path is provided so that the results serve as a measure of this property.

*A Summary of Changes section appears at the end of this standard

5.2 Fracture surfaces of nonaustenitic steels tested in their temperature transition region have areas that appear bright and areas that appear dull. The bright, faceted appearing areas are termed “cleavage” fracture, and the dull appearing areas are termed “shear” fracture after their respective mode of fracture on a micro scale.

5.3 This test method can serve the following purposes:

5.3.1 In research and development, to evaluate the effects of metallurgical variables such as composition, processing, or heat treatment, or of fabricating operations such as forming and welding on the dynamic tear fracture resistance of new or existing materials.

5.3.2 In service evaluation, to establish the suitability of a material for a specific application only where a correlation between DT energy and service performance has been established.³

5.3.3 For information, specifications of acceptance, and manufacturing quality control when a minimum DT energy is requested. Detailed discussion of the basis for determining such minimum values in a particular case is beyond the scope of this test method.

6. Apparatus

6.1 *General Requirements*—The testing machine shall be either a pendulum type or a drop-weight type of capacity more than sufficient to break the specimen in one blow. DT energy values above 80 % of the initial potential energy of the blow are invalid. The capacity needed to conduct DT tests on most steels is 2000 ft-lbf (2700 J) for 5/8-in. (16-mm) and 500 ft-lbf (700 J) for 3/16-in. (5-mm) thick specimens. The capacity needed to conduct DT tests on the cast irons and aluminum alloys is less than 20 % of the values given above for most steels.

6.1.1 *Velocity Limitations*—Tests may be made at velocities that range from 13 to 28 ft/s (4.0 to 8.5 m/s). Velocity shall be stated as the velocity between the striker and the specimen at impact. This range in velocities corresponds to that of hammers dropped from heights of 32 in. to 12 ft (0.8 to 3.7 m).

6.1.2 The impact machine shall have a calibrated scale, charts, or direct-reading indicator of initial and final energy values, or the difference between the initial and final energy values. The scale, chart, or direct-reading indicator shall be divided so that DT energy values can be estimated within the following increments:

DT Energy Value	Maximum Increment
<40 ft-lbf (54 J)	2 ft-lbf (3 J)
40–600 ft-lbf (54–800 J)	5 % of DT energy
>600 ft-lbf (800 J)	30 ft-lbf (40 J)

6.1.2.1 The error in the DT energy value due to an error in the weight of the pendulum or the dropping weight, or due to an error in drop height, shall not exceed 1 %. Windage and friction may be compensated for by increasing the height of the drop, in which case the height may exceed the nominal value by not over 2.0 %.

6.1.3 The specimen anvil and the striker tup shall be of steel hardened to a minimum hardness value of 48 HRC and shall

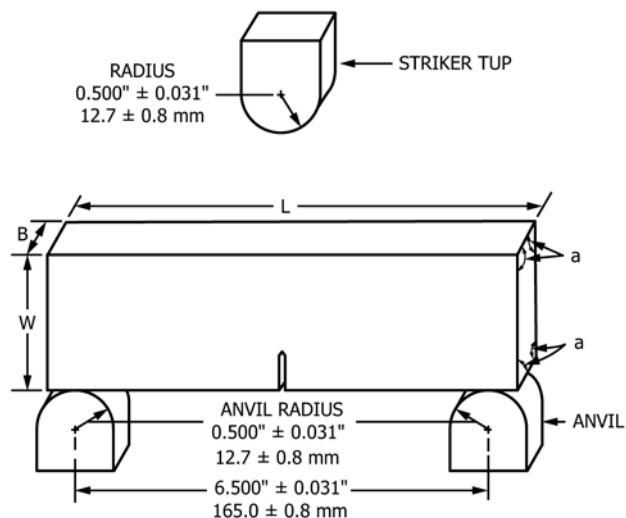
conform to the dimensions presented in Fig. 1. Clearance between the sides of the hammer and anvil shall not be less than 2.0 in. (51 mm), and the center line of the striker edge shall advance in the plane that is within 0.032 in. (0.80 mm) of the midpoint between the supporting edges of the specimen anvils. The striker edge shall be perpendicular to the longitudinal axis of the specimen within 0.01 rad. When in contact with the specimen, the striker edge shall be parallel within 0.005 rad to the face of a square test specimen held against the anvil. Specimen supports for pendulum machines shall be square with anvil faces within 0.0025 rad. Specimen supports shall be coplanar within 0.005 in. (0.125 mm) and parallel within 0.002 rad.

6.2 The design of the pendulum impact machines shall position the center of percussion at the center of strike within 1 % of the distance from the center of rotation to the center of the strike. When hanging free, the pendulums shall hang so that the striking edge is less than 0.20 in. (5.0 mm) from the edge position of the specimen.

6.2.1 The location of the center of percussion may be determined as follows: Using a stop watch or some other suitable timer to within 0.2 s, swing the pendulum through a total angle not greater than 15°, and record the time for 100 complete cycles (to and fro). Determine the center of percussion as follows:

$$l = 0.815\rho^2, \text{ to determine } l \text{ in feet} \tag{1}$$

$$l = 0.2485\rho^2, \text{ to determine } l \text{ in metres}$$



Dimensions and Tolerance for Specimen Blank			
Parameter	Units	Dimension	Tolerance
Length, <i>L</i>	in.	7.125	±0.125
	mm	181	±3
Width, <i>W</i>	in.	1.60	±0.10
	mm	41	±2
Thickness, <i>B</i>	in.	0.625	±0.035
	mm	16	±1
Angularity, α	deg	90	±1

NOTE 1—See 9.1 for specimens less than 5/8-in. (16 mm) thick.
FIG. 1 Dynamic Tear Test Specimen, Anvil Supports, and Striker

³ Pellini, W. S., “Analytical Design Procedures for Metals of Elastic-Plastic and Plastic Fracture Properties,” *Welding Research Council Bulletin 186*, August 1973.

where:

- l = distance from the axis to the center of percussion, ft (or m), and
- ρ = time of a complete cycle (to and fro) of the pendulum, s.

6.2.2 For double-pendulum machines, the center of percussion of each pendulum shall be determined separately.

7. Safety Hazards

7.1 A safety screen shall surround the anvil to restrict the flight of broken specimens.

7.2 Precautions shall be taken to protect personnel from swinging pendulums, dropping weights, flying broken specimens, and hazards associated with specimen warming and cooling media.

8. Sampling

8.1 Notation of the orientation of base metal specimens shall be in accordance with Test Method E399.

9. Test Specimens

9.1 *Size of Specimens*—The specimen blank shall be B by 1.60 by 7.125 in. (B by 40.6 by 181.0 mm) where B can be from $3/16$ to $5/8$ in. (5 to 16 mm). The tolerances for these dimensions are presented in Fig. 1.

9.1.1 If the thickness of the product is greater than $5/8$ in. (16 mm) then a $5/8$ in. (16 mm) thick specimen shall be the standard specimen.

9.2 *Notch Detail*—The notch is machined to provide a fracture path in test material of 1.125 in. (28.5 mm); the small extension required for notch sharpening is considered a portion of the nominal net section. The notch dimensions shall conform to the values given in Fig. 2.

9.3 Procedure for Preparing Notch:

9.3.1 *Rough Machining*—Machine a notch to the dimensions shown in Fig. 2. The angular apex portion and particularly the final cut on the root radius may be machined with a precisely ground saw, cutter, electric discharge machine, or any other machining process that will ensure a final root radius less than 0.005 in. (0.13 mm).

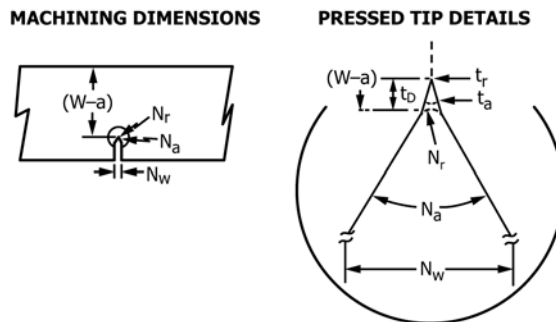
NOTE 2—These machining operations are normally performed simultaneously for a group of specimens.

9.3.2 *Pressing Notch Tip*—Press the sharp tip of the notch to the dimensions prescribed in Fig. 2 on individual specimens. Make the impression with a blade of high-speed tool steel (60 HRC min) that has been ground to the dimensions presented in Fig. 3, and subsequently honed to remove any burrs or rough edges. Any loading device with sufficient capacity to press the knife to the prescribed depth may be used.

NOTE 3—Suggested practices for measuring the pressed tip and for pressing the notch tip are given in the Appendixes. The force required to accomplish the pressing is related to the hardness and the thickness of the specimen. The force required can be estimated by either of the following formulas:

$$\text{force (lbf)} = 47 \times \text{tensile strength (ksi)} \times B \text{ (in.)}$$

$$\text{force (N)} = 2.9 \times \text{tensile strength (MPa)} \times B \text{ (mm)}$$



Dimensions and Tolerances for Notch Tip			
Parameter	Units	Dimension	Tolerance
Net width, $(W - a)$	in.	1.125	± 0.020
	mm	28.6	± 0.5
Machined notch width, N_w	in.	0.0625	± 0.005
	mm	1.59	± 0.13
Machined notch root angle, N_a	deg	60	± 2
Machined notch root radius, N_r	in.	0.005	max
	mm	0.13	max
Pressed tip depth, t_D	in.	0.010	± 0.005
	mm	0.25	± 0.13
Pressed tip angle, t_a	deg	40	± 5
Pressed tip root radius, t_r	in.	0.001	max
	mm	0.025	max

FIG. 2 Details of the Notch in a Dynamic Tear Specimen

where:

B = thickness of the specimen.

10. Calibration of Apparatus

10.1 *Single-Pendulum Machine*—Support the pendulum horizontally ($90 \pm 1^\circ$ from the rest position) at a point most convenient to react with a weighing device such as a platform scale, balance, or load cell, and determine the weight within 0.4 %. Take care to minimize friction at the bearing support and the weighing support. Measure the length of the moment arm (that is, the horizontal distance between the center of rotation and a vertical line that passes through the point of support) within 0.1 %. The potential energy at any angular position can be calculated from the following formula:

$$\text{Energy} = \text{weight} \times \text{moment arm} (1 - \cos \beta)$$

where β = the angle displaced when the pendulum is rotated from the position of rest when hanging free. An alternative procedure may be used if the distance between the center of rotation and the center of gravity is known within 0.1 %. The weight is then determined within 0.4 %, with the pendulum supported horizontally at a point in line with the center of gravity. The potential energy at any position is equal to the weight times the elevation of the center of gravity from the rest position.

10.1.1 The friction and windage loss of energy in the machine shall not exceed 2.0 % of the initial energy. The friction and windage loss is the difference between the potential energy of the pendulum from the starting position and the potential energy of the pendulum after it completes its swing without a specimen. Compensate the friction and windage loss so that zero energy is indicated when the pendulum is released without a specimen being present.